

RP1000P2SFP

| | RP1000P2SFP | | | |
|-------|-----------------|-------------|---------|------------|
| | V1.00 | | 2019.11 | |
| | | | | |
| | | | | |
| | | | | |
| V1.00 | | | | 2019.11.22 |
| V1.01 | | | | 2020.6.1 |
| V1.02 | | | | 2020.7.3 |
| V1.03 | | | | 2021.1.7 |
| V1.04 | | | | 2021.6.1 |
| V1.05 | | | | 2021.6.23 |
| V1.06 | | | | 2021.12.22 |
| V1.07 | intel | | | 2022.3.23 |
| V1.08 | R1000P2SFP | RP1000P2SFP | | 2022.6.24 |
| V1.09 | PXE | | | 2022.10.29 |
| V1.10 | MCTP over SMBus | | | 2022.12.19 |
| V1.11 | | | | 2023.03.20 |
| V1.12 | | | | 2023.7.19 |
| V1.13 | DPDK | | | 2023.11.17 |
| V1.14 | | | | 2024.6.20 |

1 RP1000P2SFP

RP1000P2SFP

SP1000A

CPU

CPU

CPU

RP1000P2SFP

300

PCI Express X8

I/O

RP1000P2SFP

MAC SFP+

1.1

1.1.1

1.1.2

PFC(802.1Qbb)

ETS(802.1Qaz)

CCN(802.1Qau)

VEPA

ETAG

MIB RMON

VXLAN/Geneve

DPDK

1.1.3

IPv4 TCP RSC
FCOE
256 KB
IP/TCP/UDP/STCP
UDP
CRC
VLAN
MAC/ VLAN

1.1.4

MSI / MSI - X
TCP
TPH/FLR/IDQ/ARI /VPD/ECRC
256B / 2KB
PCI E
D0 D3 ACPI

1.1.5

SR-IOV
128
32
2
128
LLI
64 64 x 2
128 MAC
4096
4096

1.1.6

10 Gb
PCI e Gen3. 0x8
MCTP over SMBus

1.2

1.2.1

| | |
|--|-----------------------------------|
| | RP1000P2SFP/RP1000P2SFP-A(/ARM) |
|--|-----------------------------------|

RP1000P2SFP x86 pxe boot on lan arm64 pxe
 boot on lan
 RP1000P2SFP-A arm64 pxe boot on lan

1.2.2

| | | |
|--|--|--|
| | | |
| | | |
| | | |

1

1.2.3

| | | | |
|-----|----------------|----|-----------|
| | | | |
| PCB | 133.64 | mm | +/-1mm |
| PCB | 68.9 | mm | +/-1mm |
| () | 18.42(x80.15 | mm | +/-0.25mm |
| () | 18.42(x121.05 | | |
| | 14.47 | mm | +/-0.13mm |
| | 2.67 | | |

2

Net-Swift ,Inc

1.2 7

Manufacturer

[REDACTED]

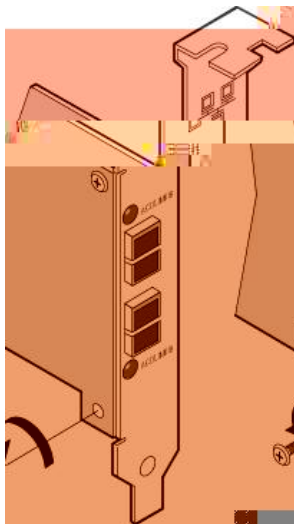
2.2

PCI -E X8 X16

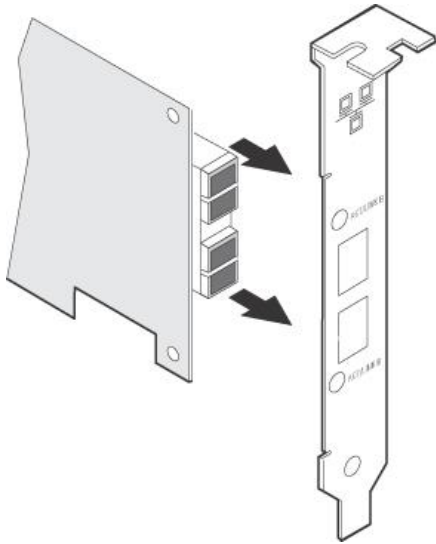
2.3

1

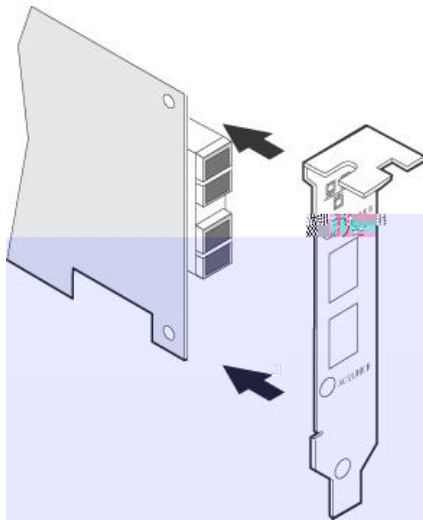
2



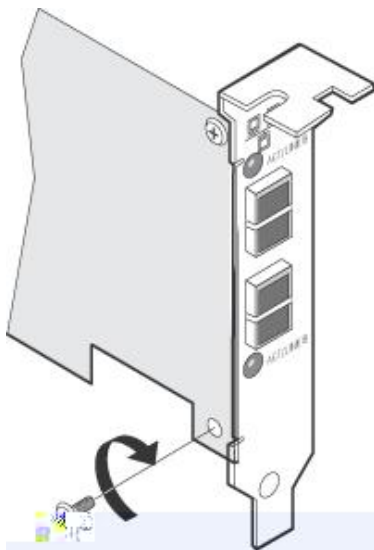
3



4



5



2.4

3

3.1

| | 14. 8Mbps@64B 7. 578Gb/s | |
|---------|-----------------------------|--|
| | 822. 4Kpps@1500B 9. 869Gb/s | |
| | 128. 5Kpps@9710B 9. 982Gb/s | |
| MTBF() | 1000000 | |

4

4.1

Li nk

PCI -E

Li nk

4.2

ACT

TX RX

5

0° C — 55° C

0% — 90%